



 PARTS MANAGER SPECIAL

EX-GUARD[®]
WE'VE GOT YOU COVERED![™]



XG-150

Extreme-duty, complete front-end protection for the bumper, fog lights, radiator, CMS, headlights, hood and grille for set-back axle truck models. Generation 2 design, with sharper bends, curves back towards the truck for increased aerodynamics, resulting in additional fuel efficiency.

PRODUCT DETAILS

FINISH: Ex-Guard[®] Corrosion Resistant PVC coating

MATERIAL: 8 Gauge High-Tensile Steel

LATCH TYPE: Adjustable, Dual Action

COMPATABILITY: Set-Back Axle Models (XG-150), Freightliner New Generation Cascadia & Mack Anthem (XG-D150)

GUARD CONSTRUCTION: 2 – Piece

INSTALL TIME: Less than one hour

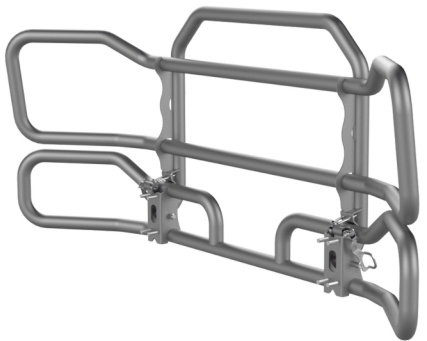
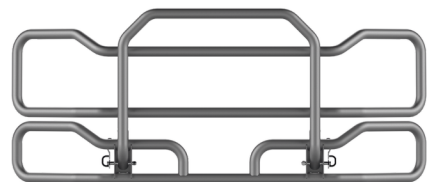
WEIGHT: 210 LBS (Not Including Brackets)

DIMENSIONS: 94" x 40" (WxH)

XG-150G2: \$1,800.50

XG-D150G2: \$1,800.50

While supplies last, pricing may change without notice



Order Online 24/7:

<https://www.bergeystruckcenters.com/parts-inventory/>

